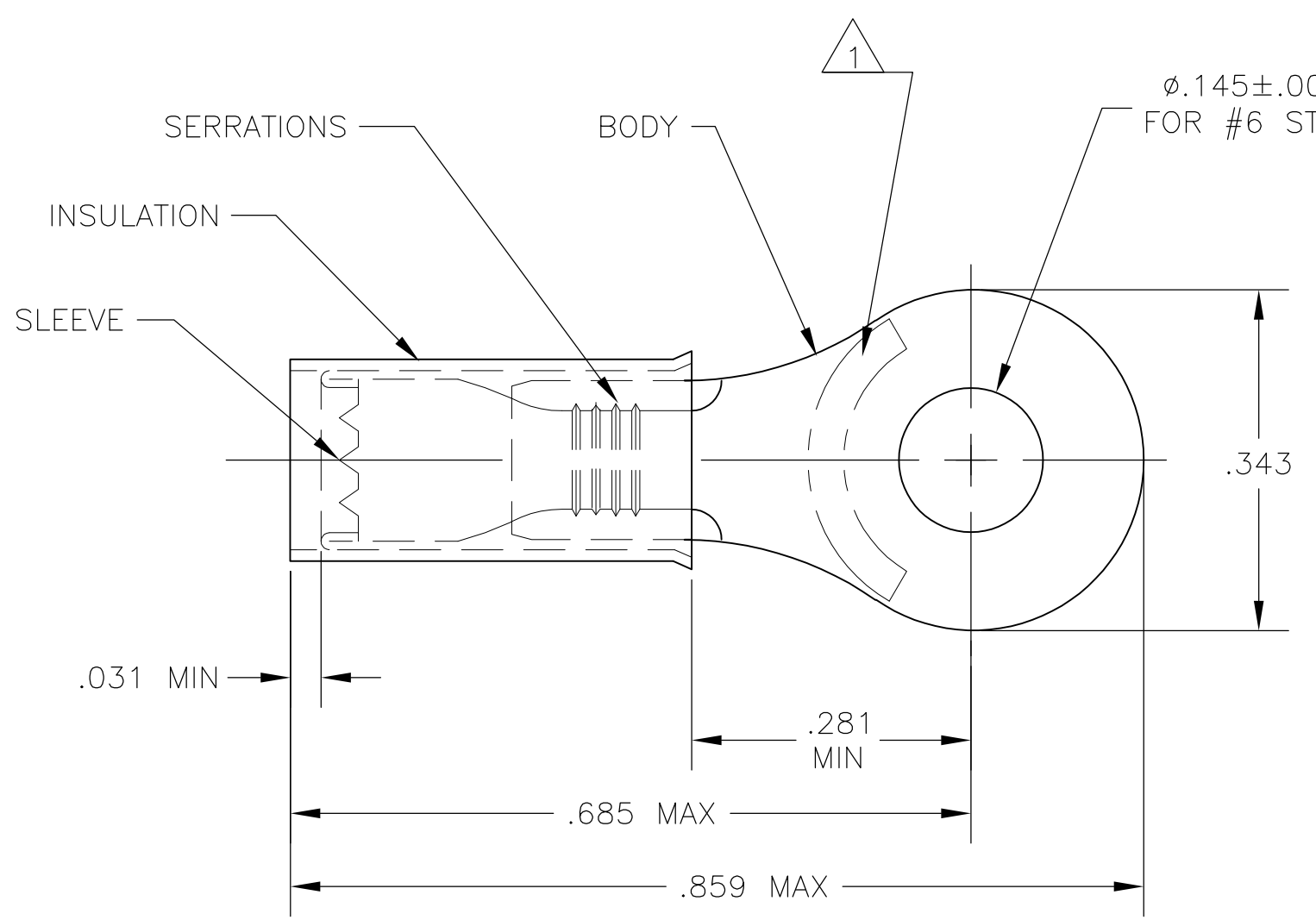


THIS DRAWING IS UNPUBLISHED. RELEASED FOR PUBLICATION
 © COPYRIGHT - By - ALL RIGHTS RESERVED.

LOC	DIST	REVISIONS			
P	LTR	DESCRIPTION	DATE	DWN	APVD
G	14	G3	REVISED PER ECO-14-009348	20JUN2014	NK DR



- 1 STAMP MAY BE ON TOP OR BOTTOM
- 2 FOR .105 TO .150 WIRE INSULATION DIA.
- 3 MATERIAL TONGUE THK IS $.031 \pm .002$

QTY	DESCRIPTION	MATERIAL	PART NO
100	LOOSE PIECE	INSULATION: NYLON, COLOR BLUE	8-36157-1
5000	36157 ON TAPE	BODY & SLEEVE: COPPER PER ASTM B152 TIN PLATE PER ASTM B545	2-36157-2
1000	LOOSE PIECE		36157

THIS DRAWING IS A CONTROLLED DOCUMENT.		DWN jr_ruth 17MAR09	STE TE Connectivity	
DIMENSIONS: INCHES		CHK TOM MICHIELUTTI 17MAR09		
TOLERANCES UNLESS OTHERWISE SPECIFIED:		APVD TOM MICHIELUTTI 17MAR09	NAME TERMINAL, PIDG RING TONGUE, WIRE SIZE 16-14 AWG	
0 PLC ± - 1 PLC ± - 2 PLC ± - 3 PLC ± .008 4 PLC ± - ANGLES ± 5°		PRODUCT SPEC -	APPLICATION SPEC -	
MATERIAL SEE TABLE	FINISH SEE TABLE	WEIGHT -	SIZE A3	CAGE CODE 00779
CUSTOMER DRAWING			DRAWING NO C-36157	RESTRICTED TO -
			SCALE 8:1	SHEET 1 OF 1
			REV G3	